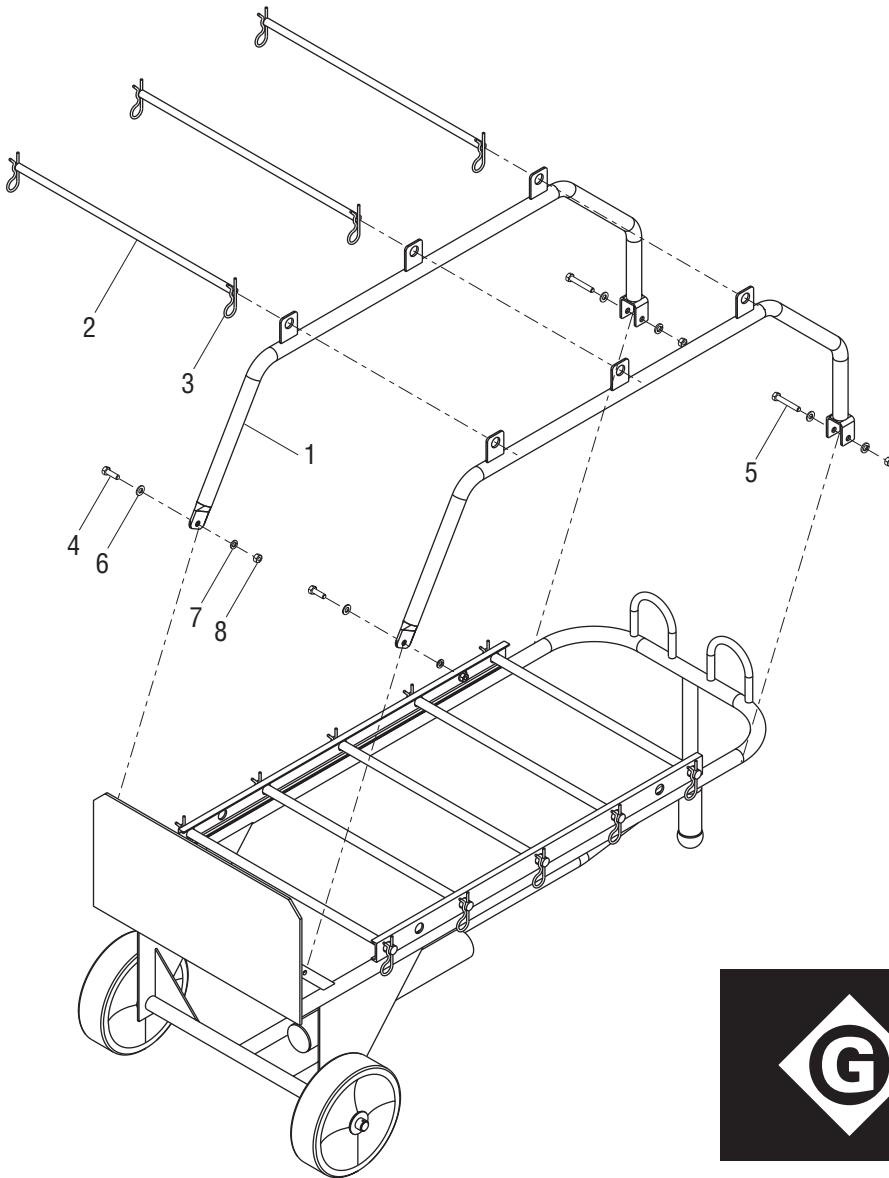


PARTS LIST



10462 Expander Kit for 38733 Hand Truck Wire Cart



Key	Part No.	Description	Qty
1	501 0456.0	Frame weldment	2
2	503 8774.0	Spindle	3
3	905 3685.1	Clip	6
4	905 5360.8	Bolt, 5/16 x 1	2
5	905 1166.2	Bolt, 5/16 x 2	2
6	905 2335.0	Washer, flat	4
7	905 1602.8	Lock washer	4
8	905 1594.3	Nut, 5/16 hex	4



USA 800-435-0786 Fax: 800-451-2632
815-397-7070 Fax: 815-397-1865
Canada 800-435-0786 Fax: 800-524-2853
International +1-815-397-7070 Fax: +1-815-397-9247

4455 Boeing Drive • Rockford, IL 61109-2988 • USA • 815-397-7070
An ISO 9001 Company • Greenlee Textron Inc. is a subsidiary of Textron Inc.

www.greenlee.com

Printed in USA